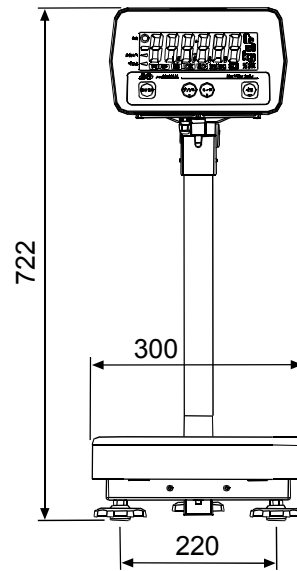
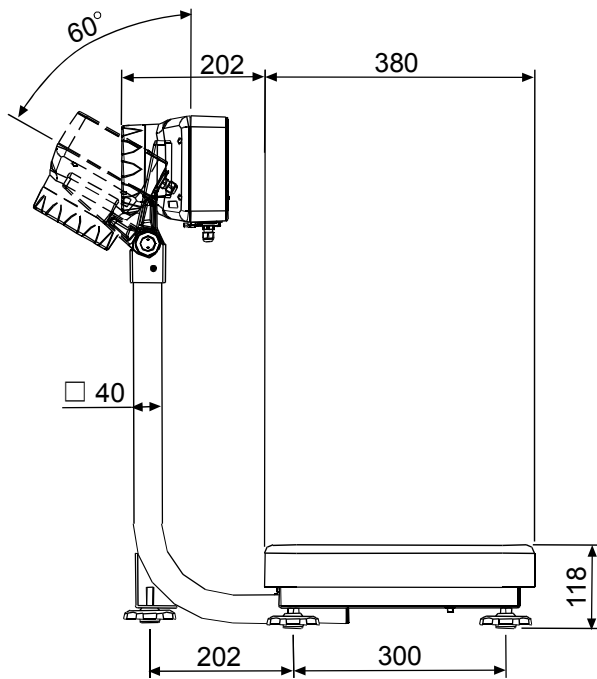
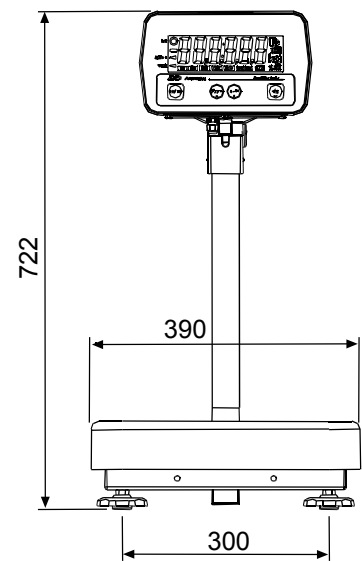
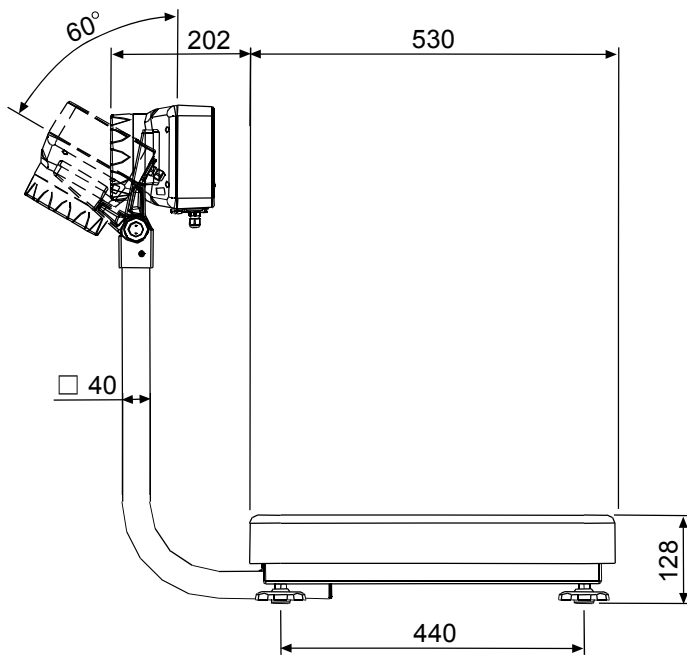


●SE-30KAM-K / SE-60KAM-K / SE-150KAM-K

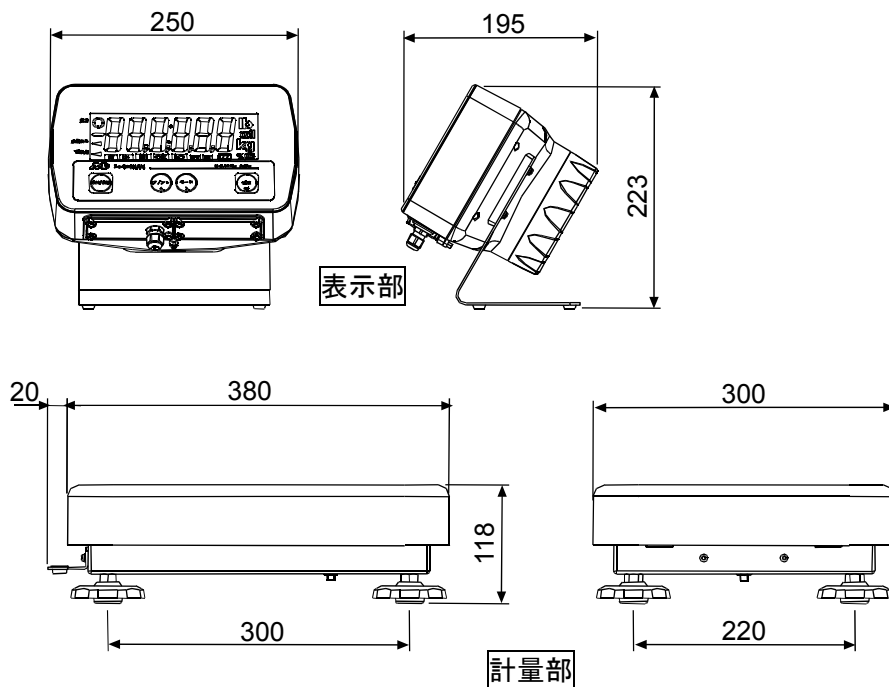


●SE-60KAL-K / SE-150KAL-K

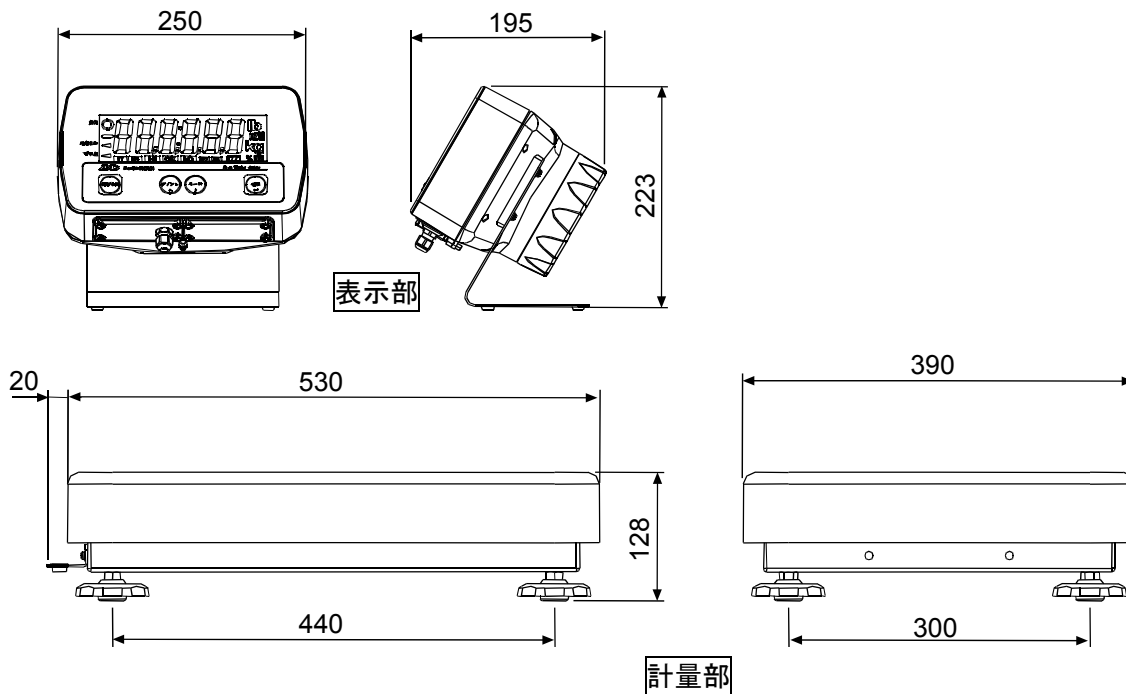


単位 : mm

●SE-30KBM-K / SE-60KBM-K / SE-150KBM-K



●SE-60KBL-K / SE-150KBL-K



単位 : mm